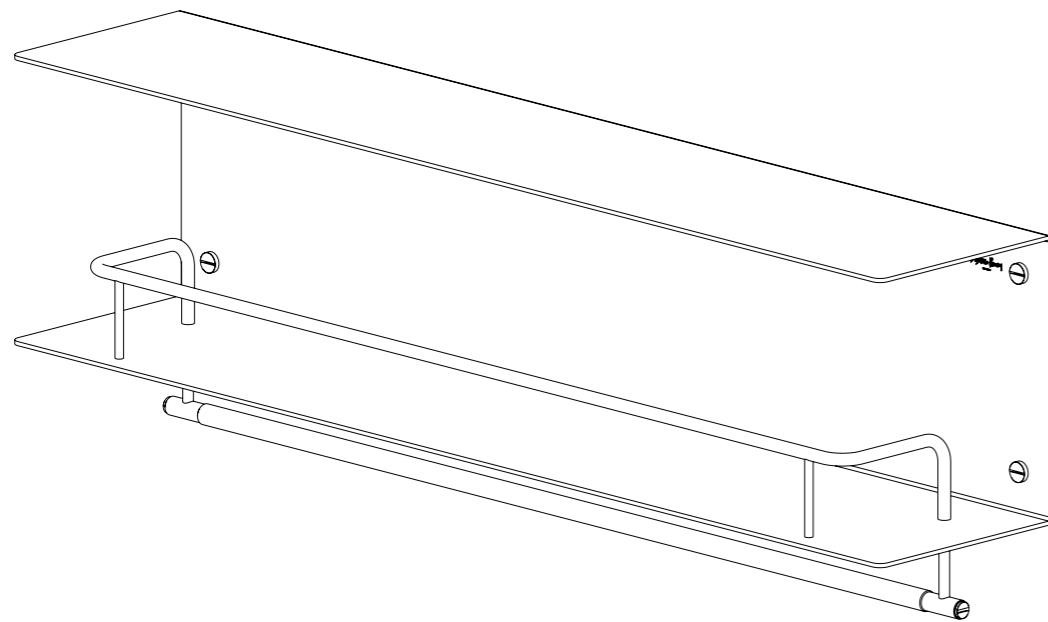
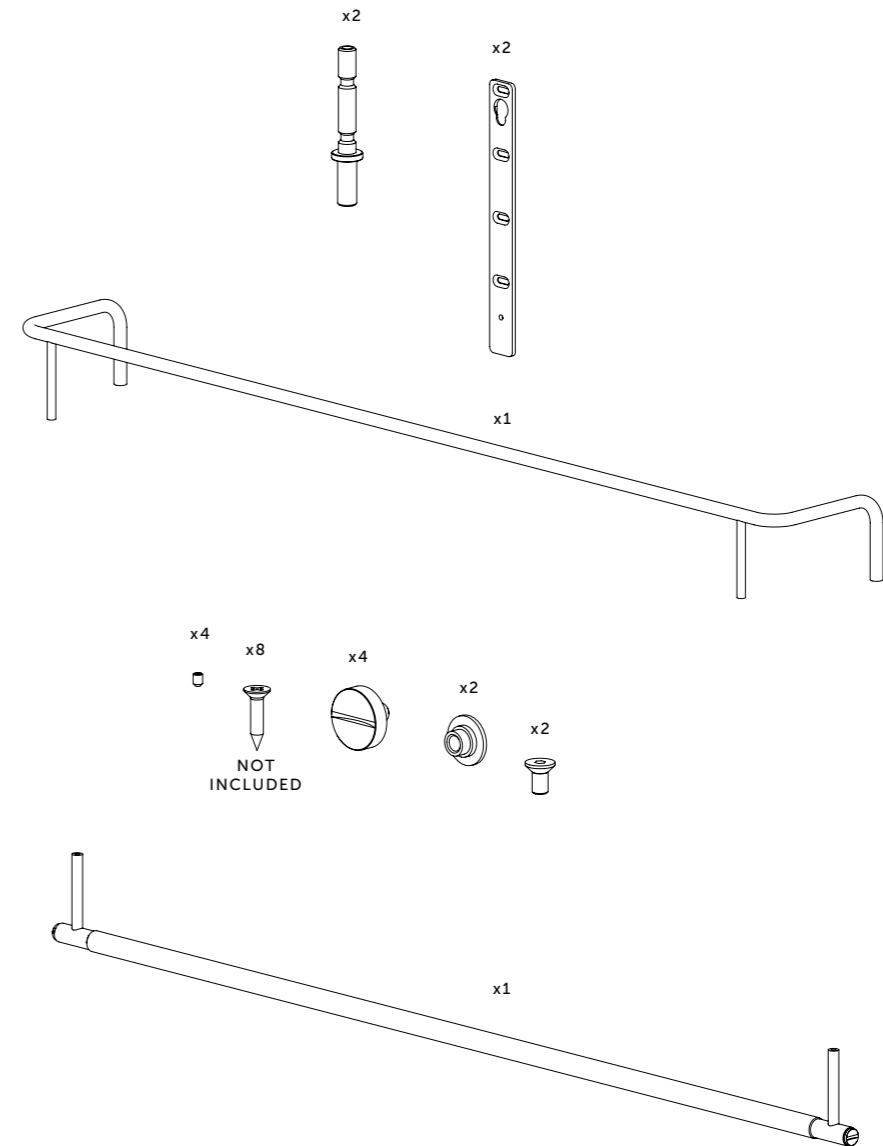


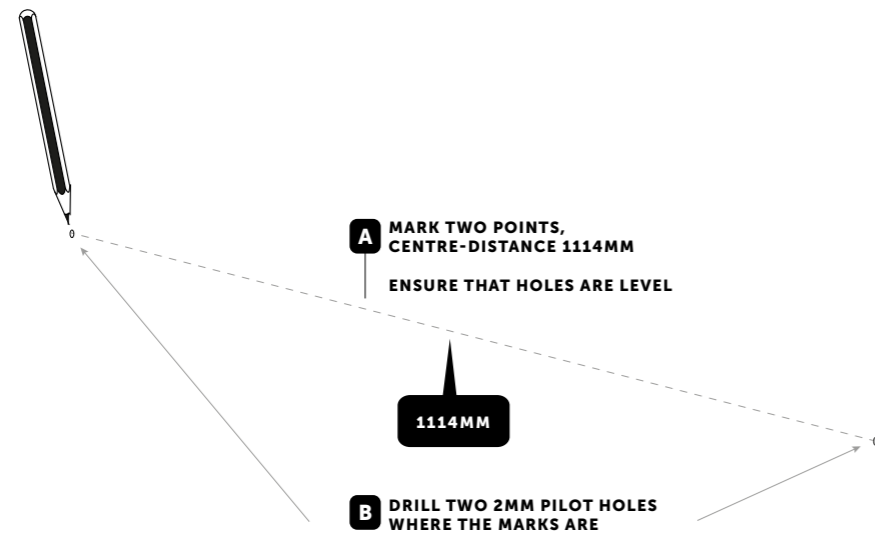
**HANGER SHELF**  
PREPARATION AND INSTALLATION  
INSTRUCTION MANUAL



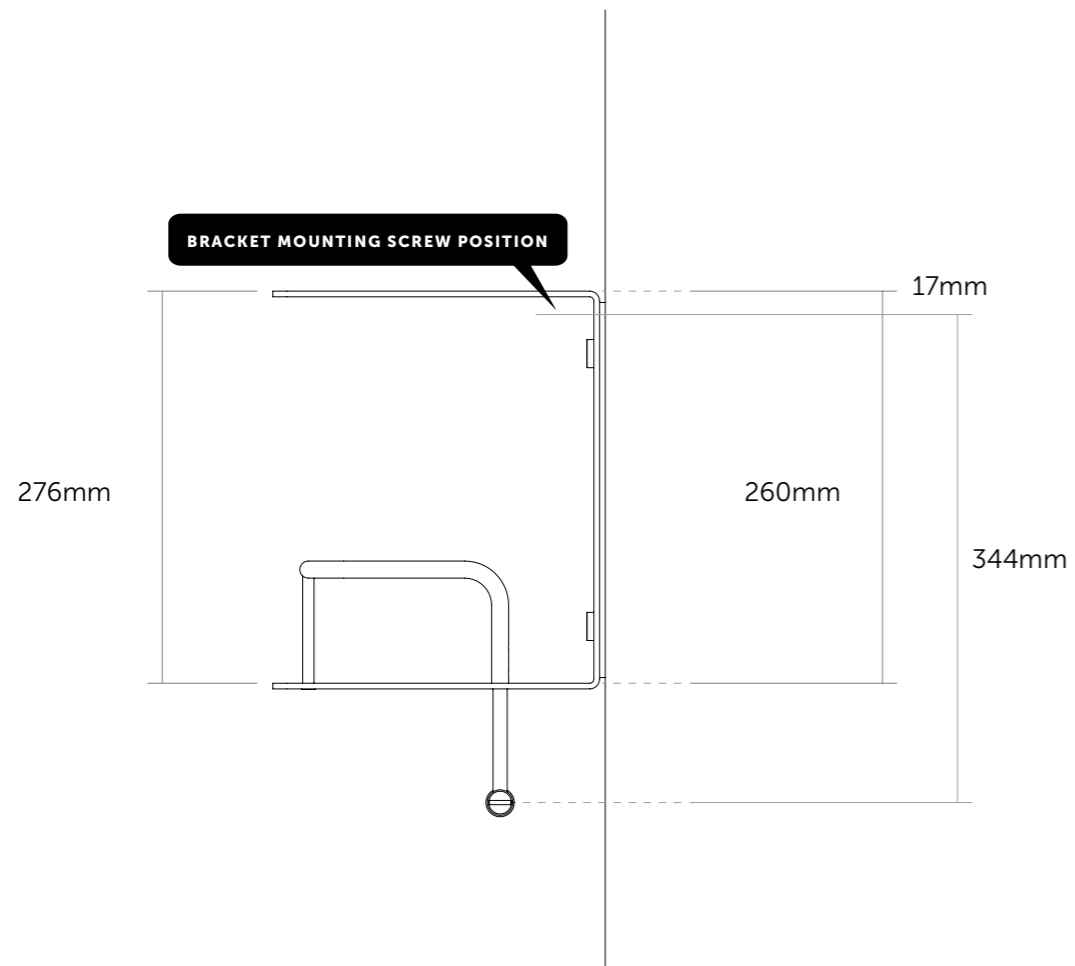
**DETAILS KIT**  
**CONTENTS**



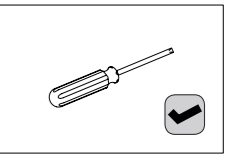
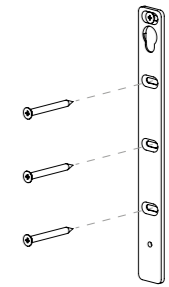
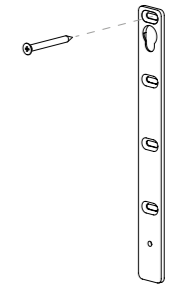
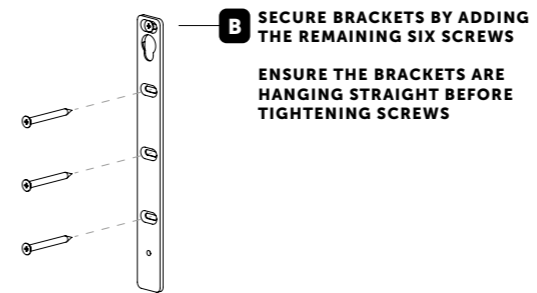
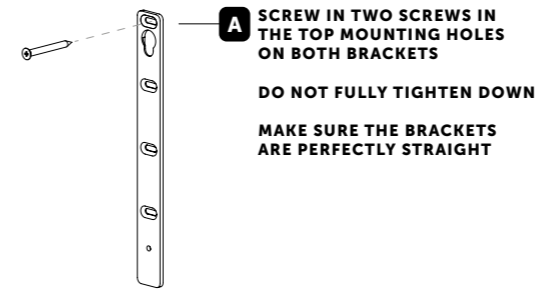
1



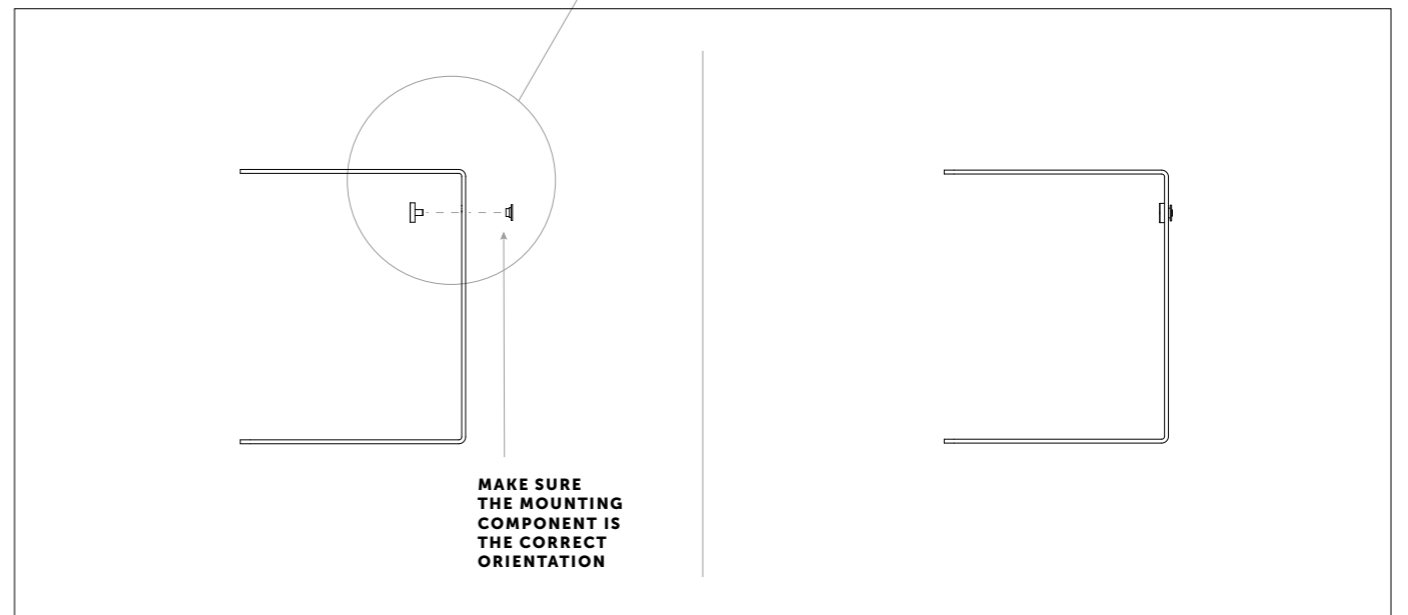
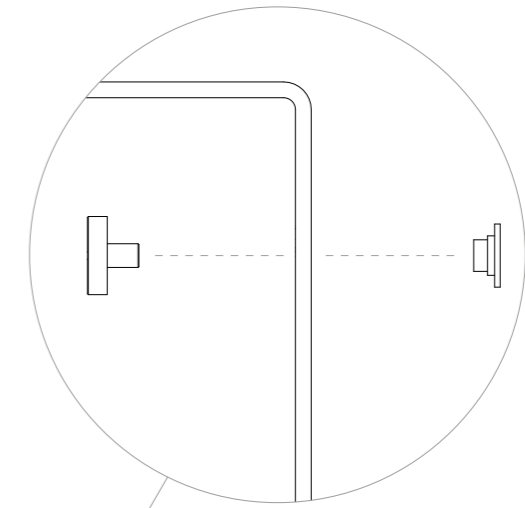
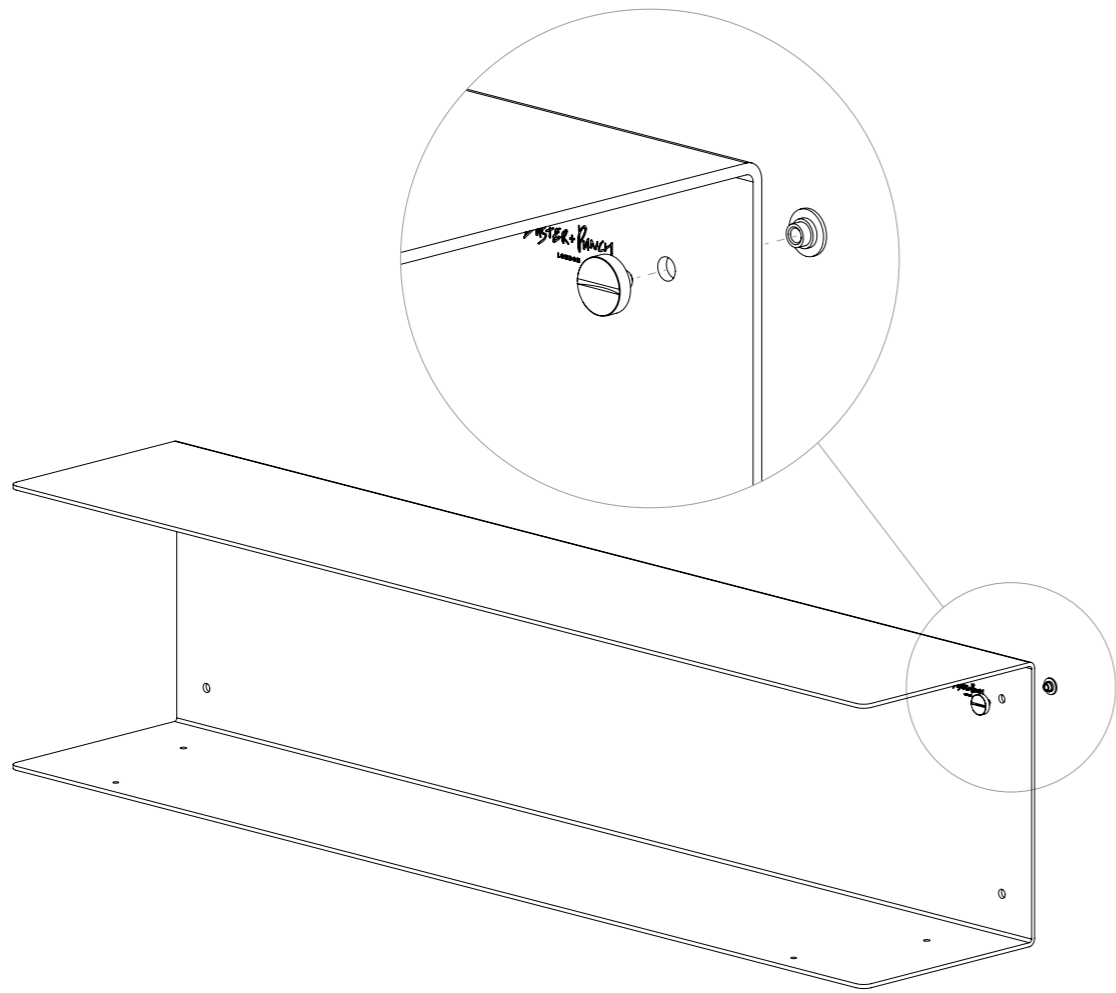
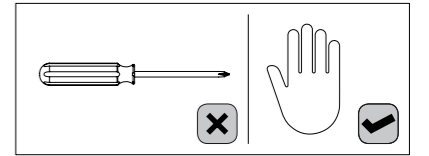
CONSULT THIS DIAGRAM TO DETERMINE THE HEIGHT YOUR SHELF WILL SIT ON THE WALL



2



**3** SCREW A COIN CAP AND A COIN SCREW  
MOUNTING COMPONENT TOGETHER,  
THROUGH THE TOP HOLES (ONE EACH SIDE)  
IN THE HANGER SHELF BODY



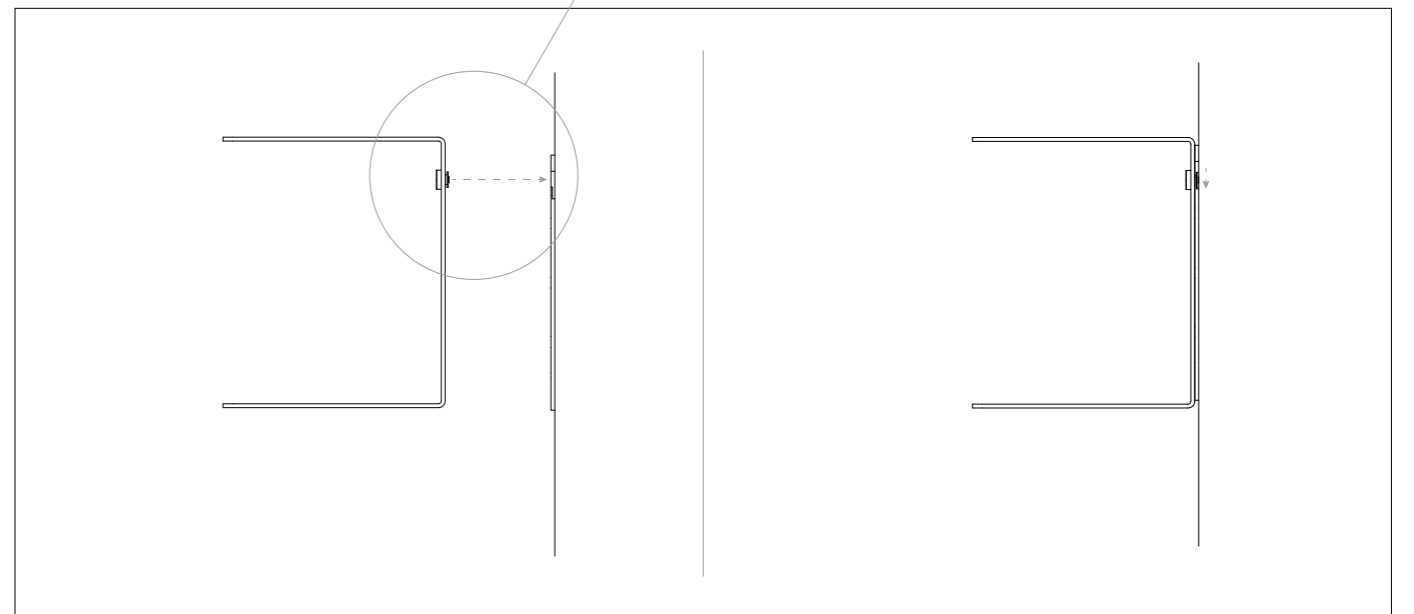
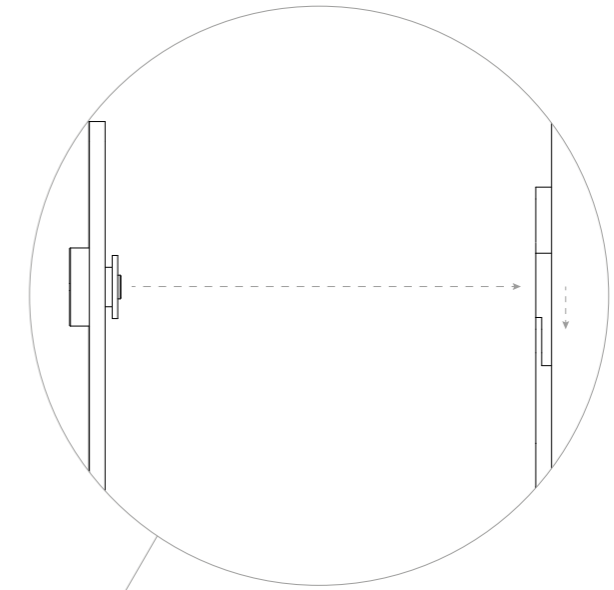
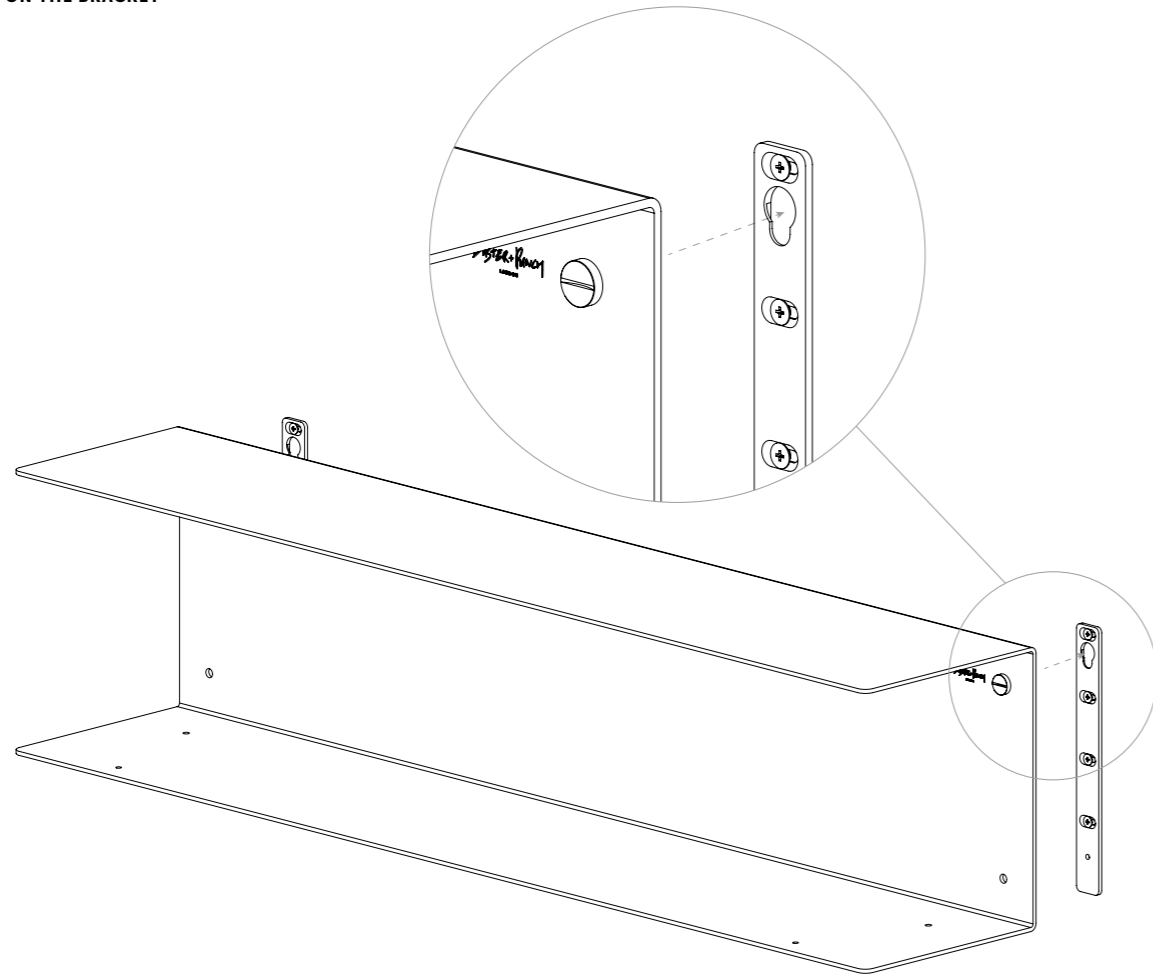
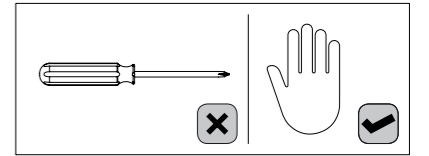
MAKE SURE  
THE MOUNTING  
COMPONENT IS  
THE CORRECT  
ORIENTATION

**4**

**HANG THE SHELF ON THE BRACKETS**

**USE THE COIN SCREW CONNECTOR AND  
SLOT THE SHELF INTO THE BRACKETS**

**ONCE THE CONNECTOR IS IN THE HOLE,  
THE SHELF SHOULD DROP DOWN INTO  
THE SLOT ON THE BRACKET**

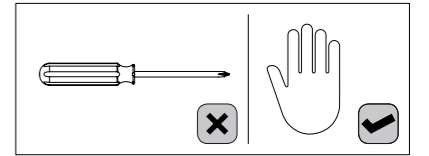
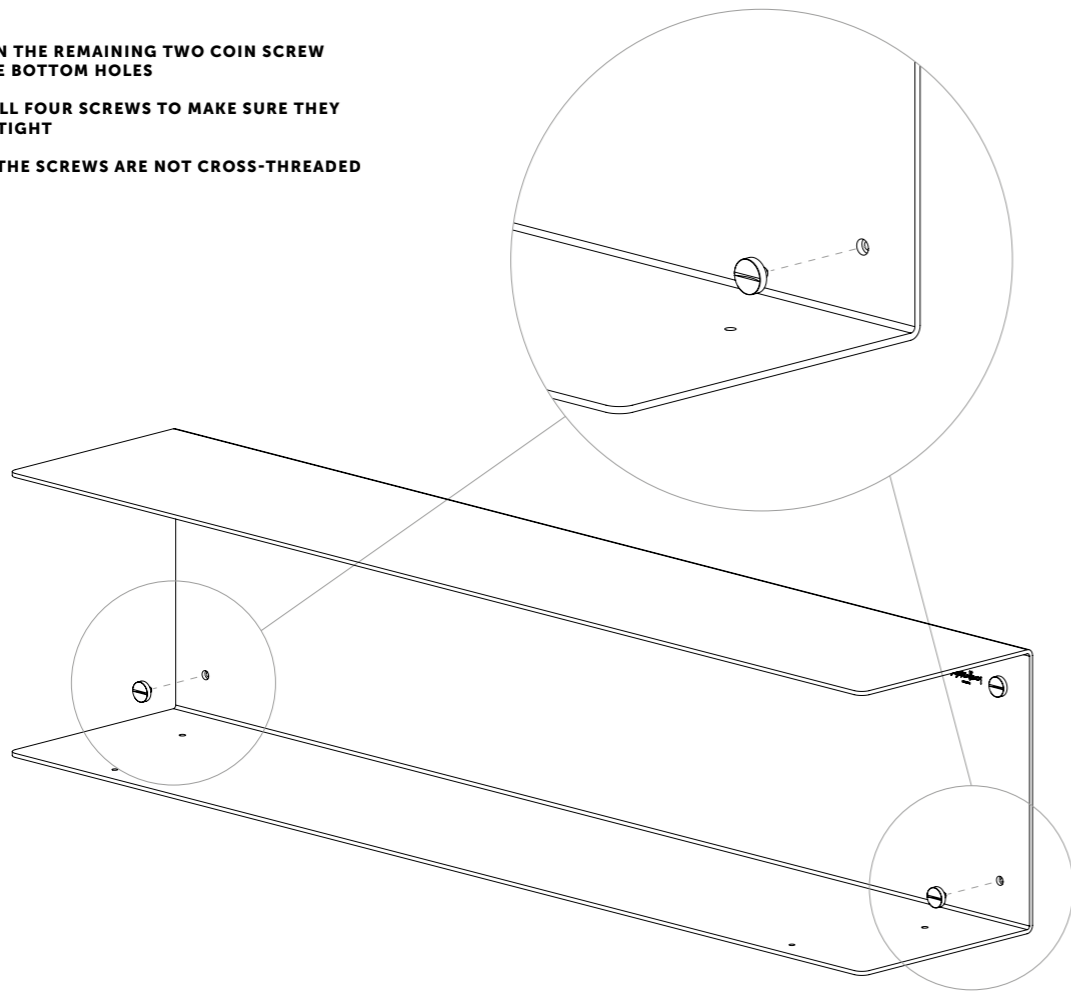


**5**

SCREW IN THE REMAINING TWO COIN SCREW INTO THE BOTTOM HOLES

CHECK ALL FOUR SCREWS TO MAKE SURE THEY ARE ALL TIGHT

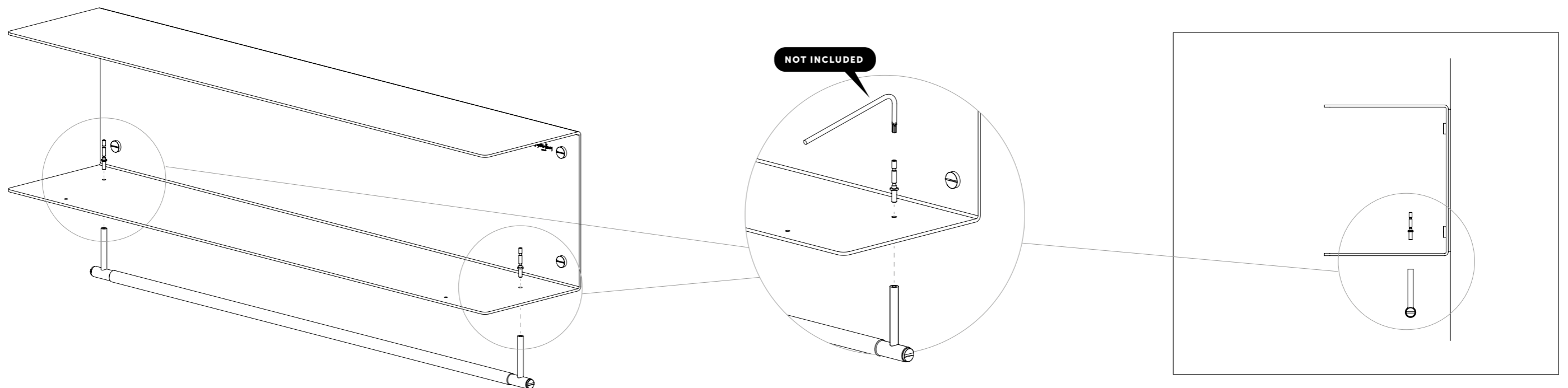
ENSURE THE SCREWS ARE NOT CROSS-THREADED



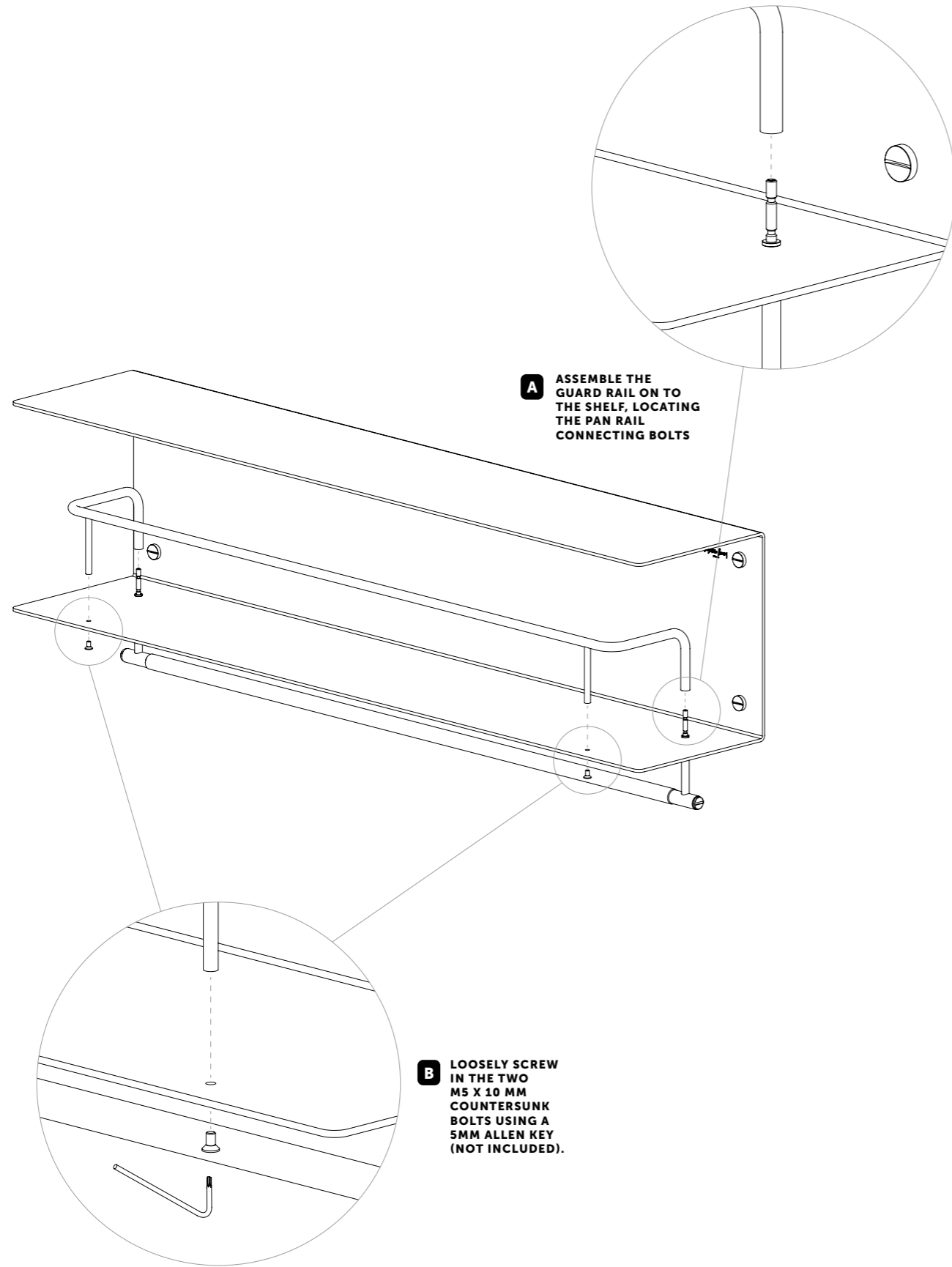
**6**

ASSEMBLE THE PAN RAIL TO THE SHELF USING THE TWO CONNECTING BOLTS SUPPLIED, THREADING THE BOLTS INTO THE PAN RAIL

USE A 3MM ALLEN KEY BOLT TO TIGHTEN THEM

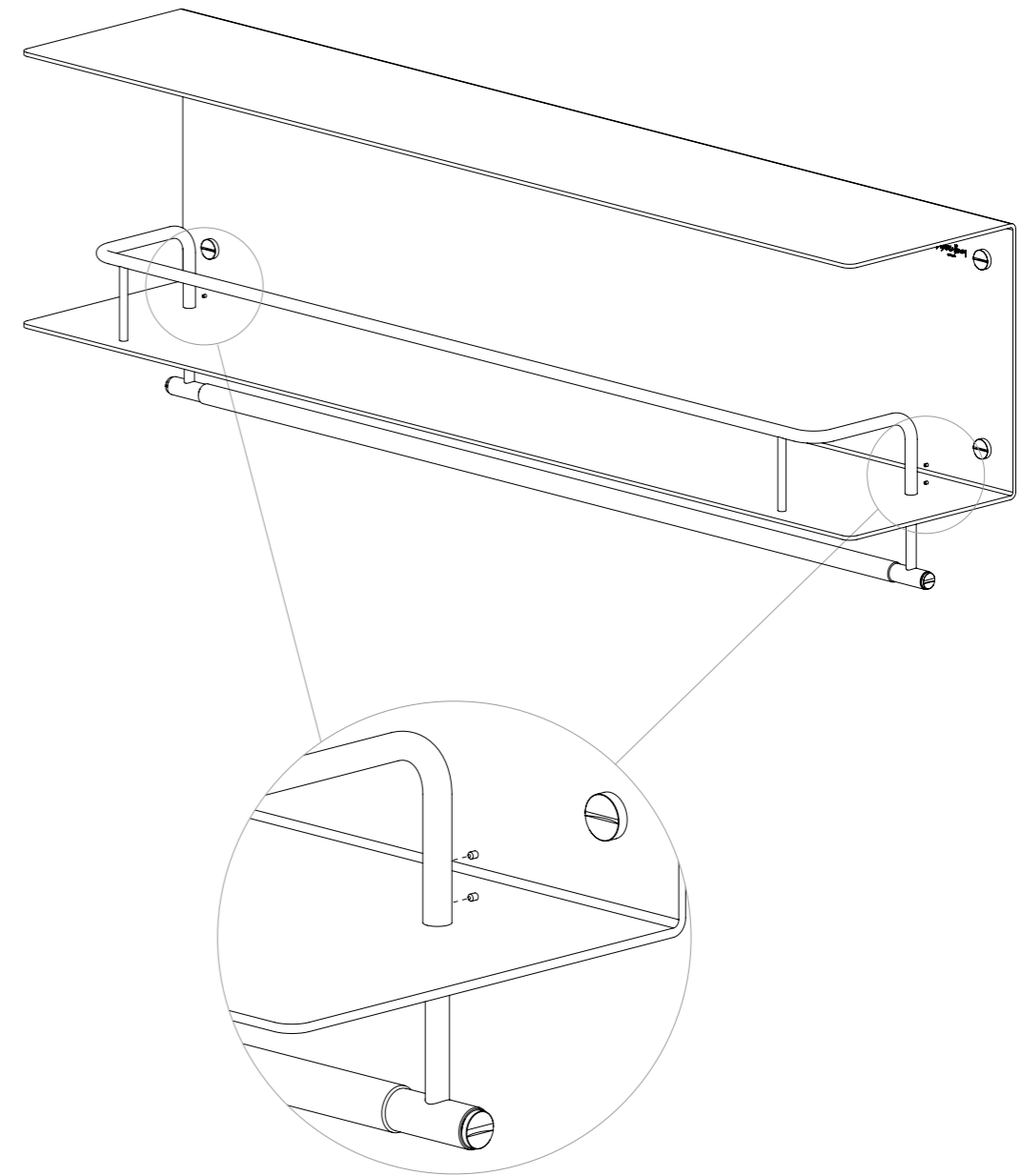


7



8 SCREW IN THE FOUR GRUB SCREWS TO THE HOLES ON THE BACK OF THE GUARD RAIL, ENSURING THEY ARE TIGHT.

ONCE GRUB SCREWS ARE TIGHT, TIGHTEN THE TWO M5 X 10 MM COUNTERSUNK BOLTS FOR THE GUARD RAIL ON THE BOTTOM OF THE SHELF



[ end. **ORDINARY.** ]