

BUSTER+PUNCH

LONDON

[product.]

FORKED CEILING / SHADE

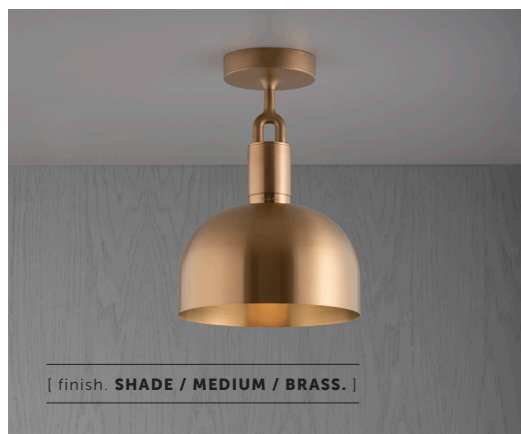
[type. **CEILING LIGHT.**]

[detail. **FORKED.**]

[process. **ROUGH-CAST.**]

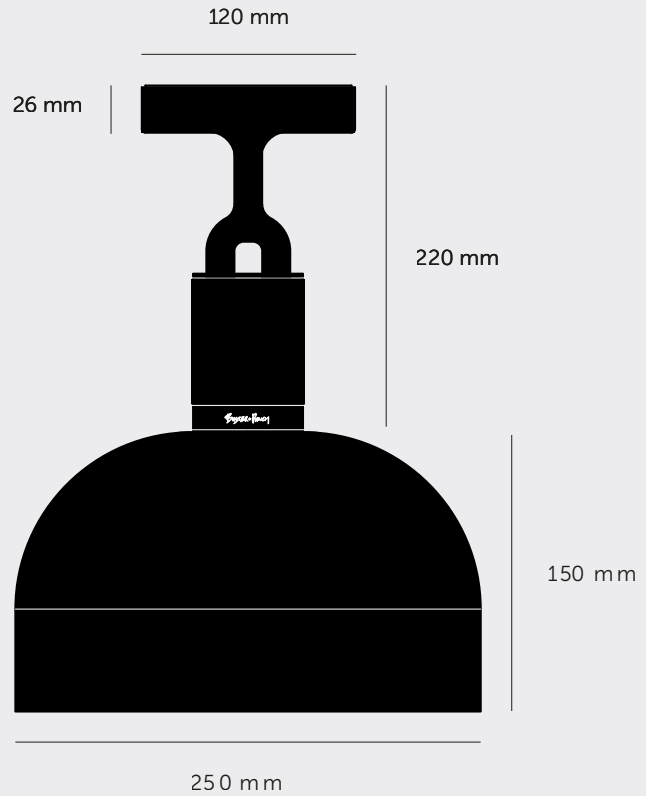
[region. **UK + EUROPE.**]

A ceiling light made from cast and machined metal, featuring our signature diamond-cut linear knurl pattern and fork detailing, refined by hand. Its shade is made from hand-spun metal.



[size. **MEDIUM.**]

[info. **MEASUREMENTS.**]



[info. **SPECIFICATIONS.**]

Ceiling light

1x solid metal lamp holder

E27 / 220-240 VAC / IP20

Max 7.5W

Bulb included

CB Certified / Class 1

1x medium solid metal light shade

[info. **FINISH & SKU NUMBERS.**]

[finish.]

[EU.]

[UK.]

Steel

RFC-833141

GFC-833141

Burnt Steel

RFC-893161

GFC-893161

Brass

RFC-813131

GFC-813131

[info. **CARE INSTRUCTIONS.**]

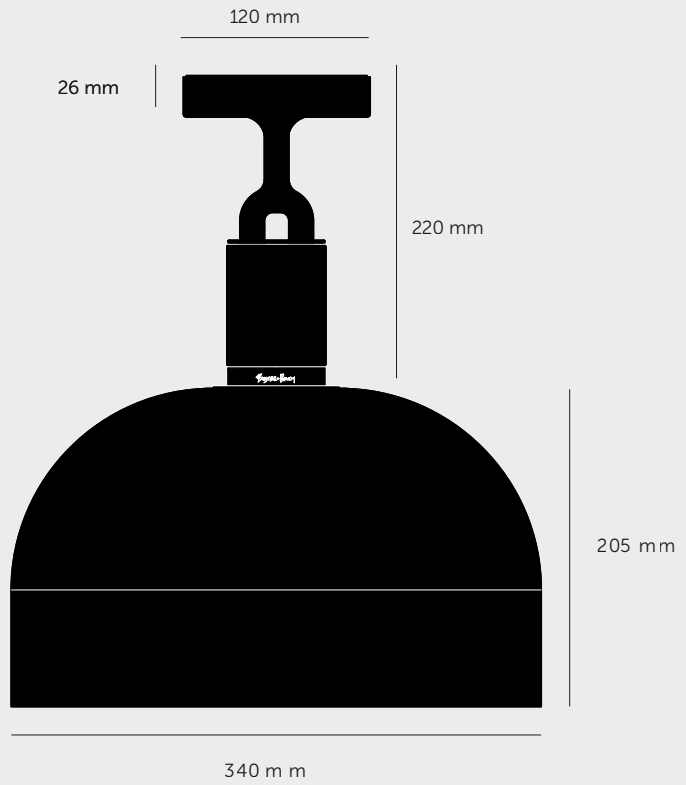
Wipe with damp cloth with no loose hairs, avoid using any chemicals. All finishes are prone to ageing.

[please. **NOTE.**]

DISCLAIMER: Always consult a trade professional when installing this light. Buster + Punch is not responsible for the usage or feasibility of installation requirements. This product is not suitable for damp or wet environments.

[size. **LARGE.**]

[info. **MEASUREMENTS.**]



[info. **SPECIFICATIONS.**]

Ceiling light

1x solid metal lamp holder

E27 / 220-240 VAC / IP20

Max 7.5W

Bulb included

CB Certified / Class 1

1x large solid metal light shade

[info. **FINISH & SKU NUMBERS.**]

[finish.]

[EU.]

[UK.]

Steel

RFC-833142

GFC-833142

Burnt Steel

RFC-893162

GFC-893162

Brass

RFC-813132

GFC-813132

[info. **CARE INSTRUCTIONS.**]

Wipe with damp cloth with no loose hairs, avoid using any chemicals. All finishes are prone to ageing.

[please. **NOTE.**]

DISCLAIMER: Always consult a trade professional when installing this light. Buster + Punch is not responsible for the usage or feasibility of installation requirements. This product is not suitable for damp or wet environments.