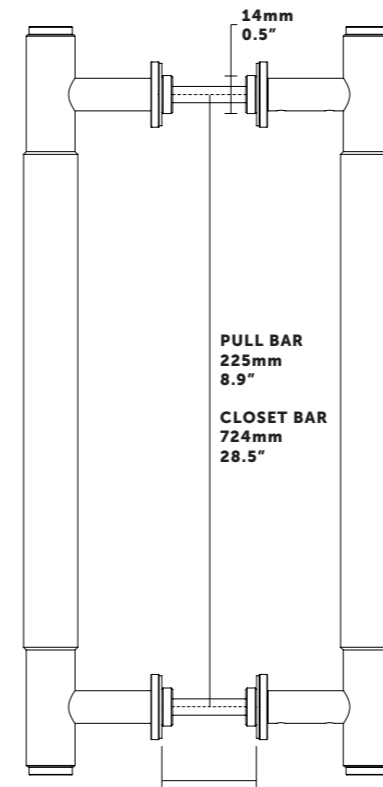
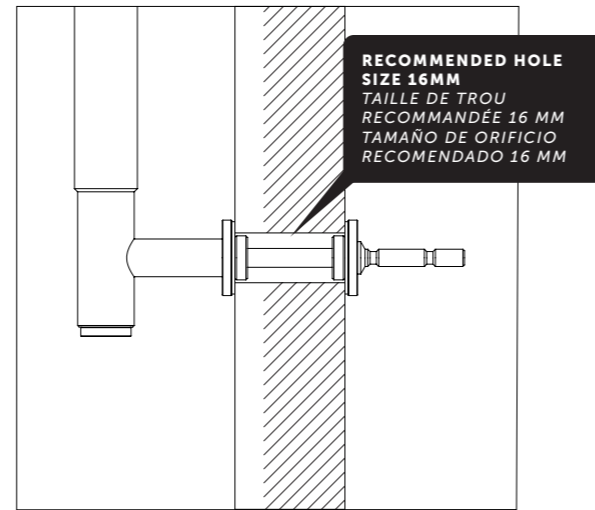
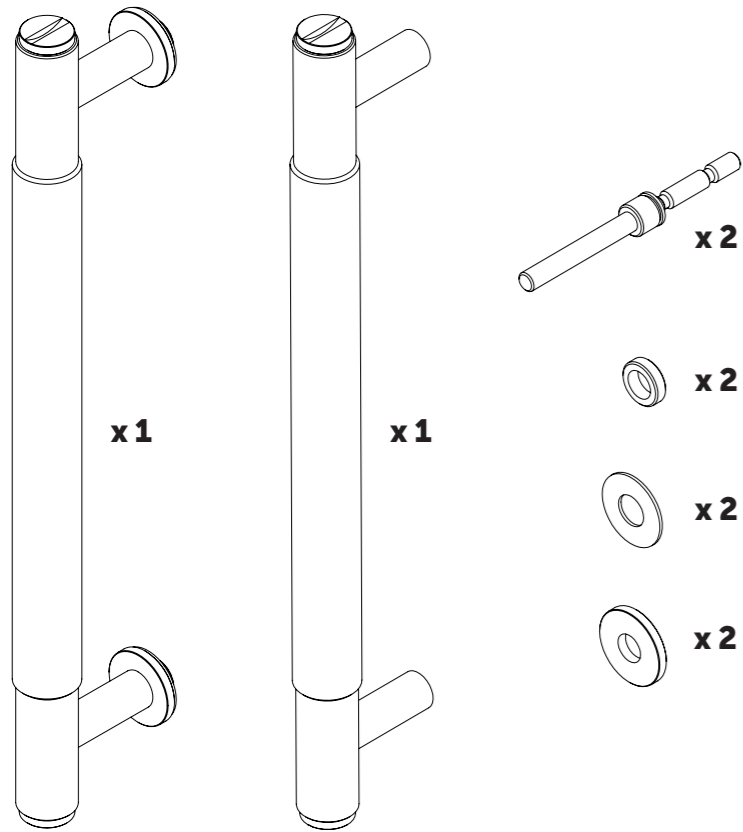


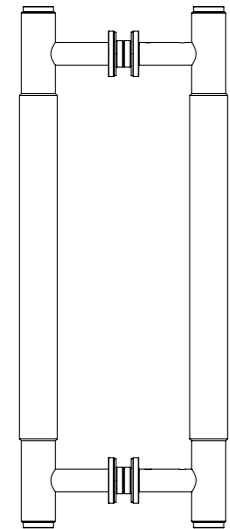
# CONTENTS



EN: MINIMUM/MAXIMUM DOOR THICKNESS  
FR: ÉPAISSEUR MINIMALE / MAXIMALE DE LA PORTE  
SP: ESPESOR DE PUERTA MÍNIMO / MÁXIMO  
min 10mm or 0.39" - max 60mm or 2.36"

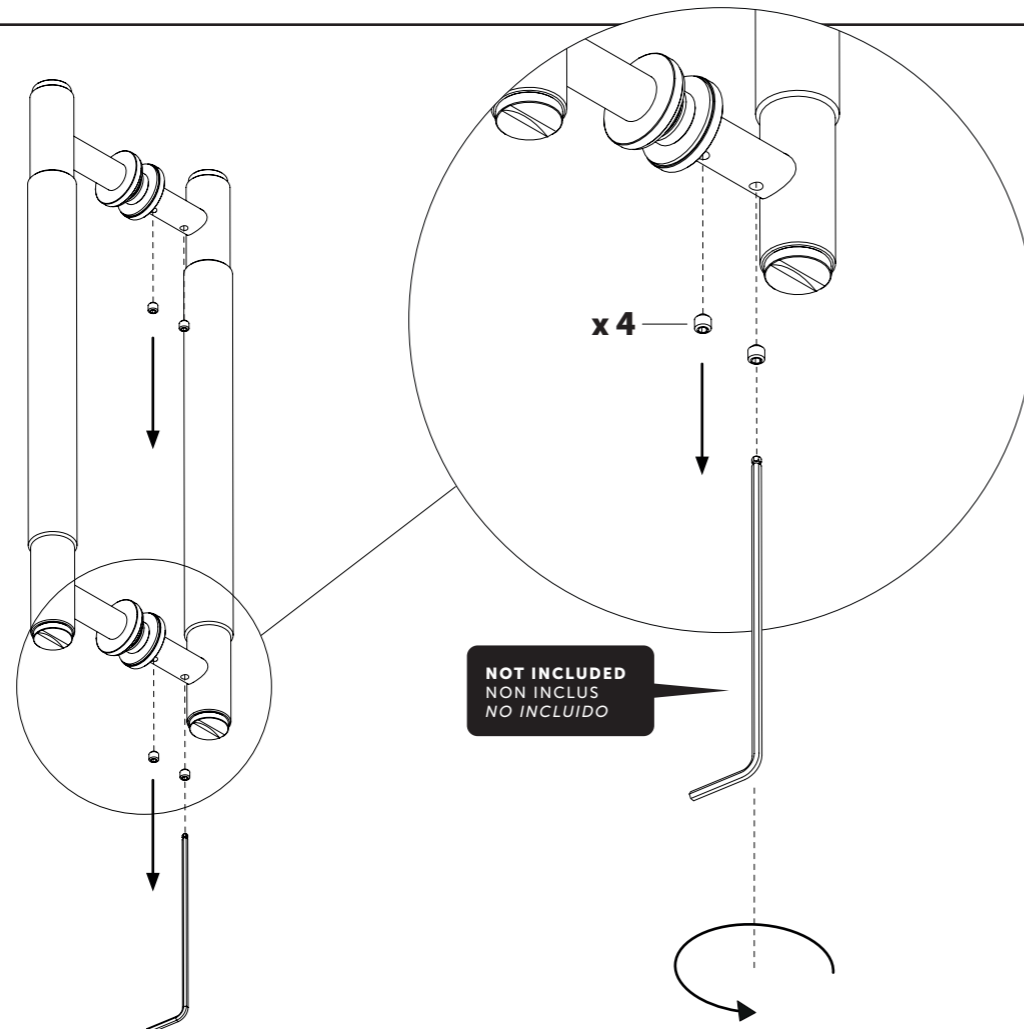
**PULL BAR / DOUBLE-SIDED  
CLOSET / DOUBLE-SIDED**

INSTRUCTION MANUAL

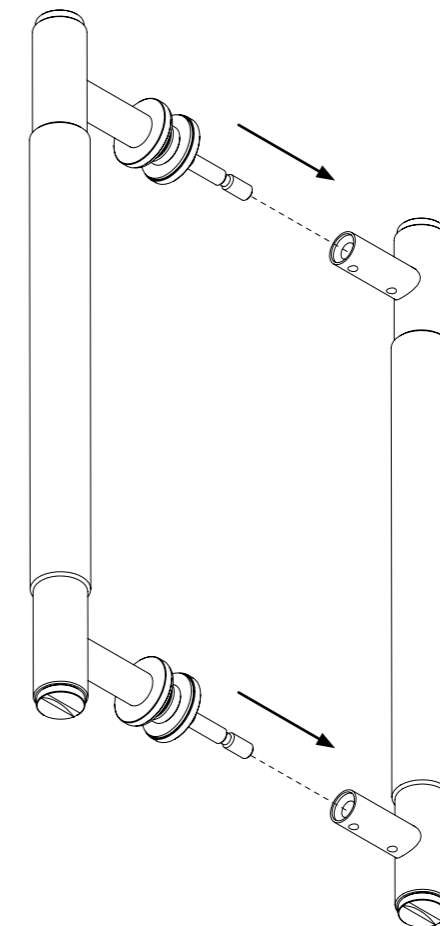


# INSTALLATION

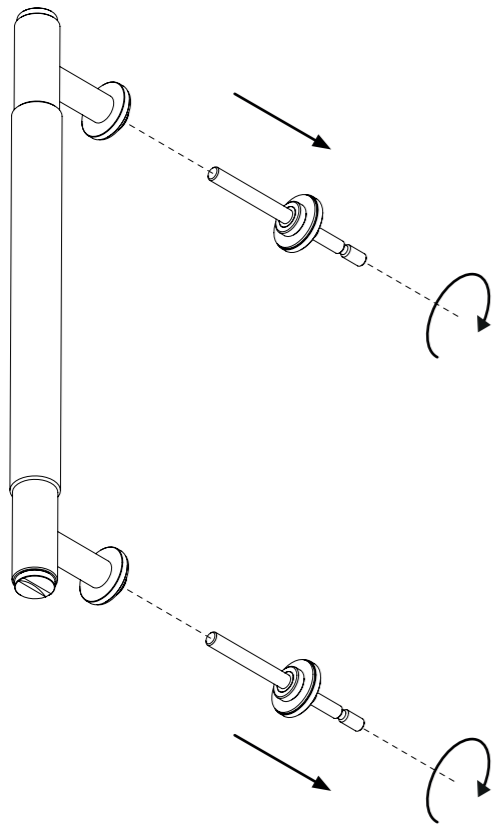
**1**



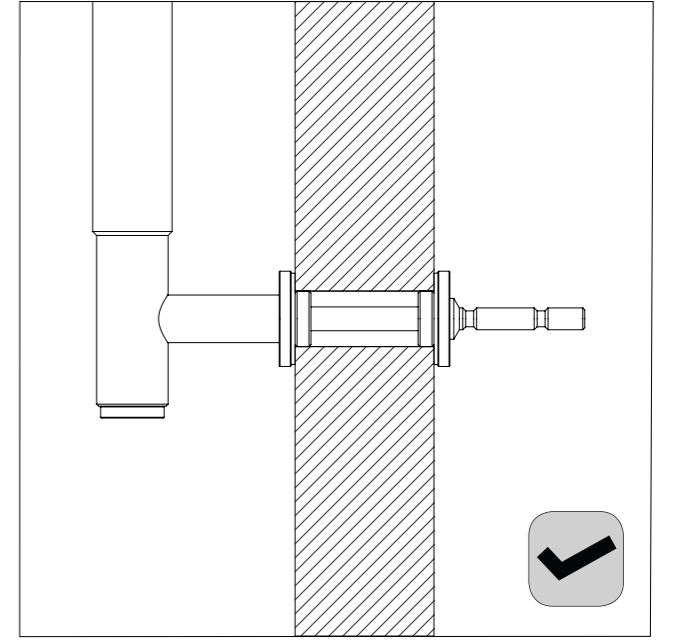
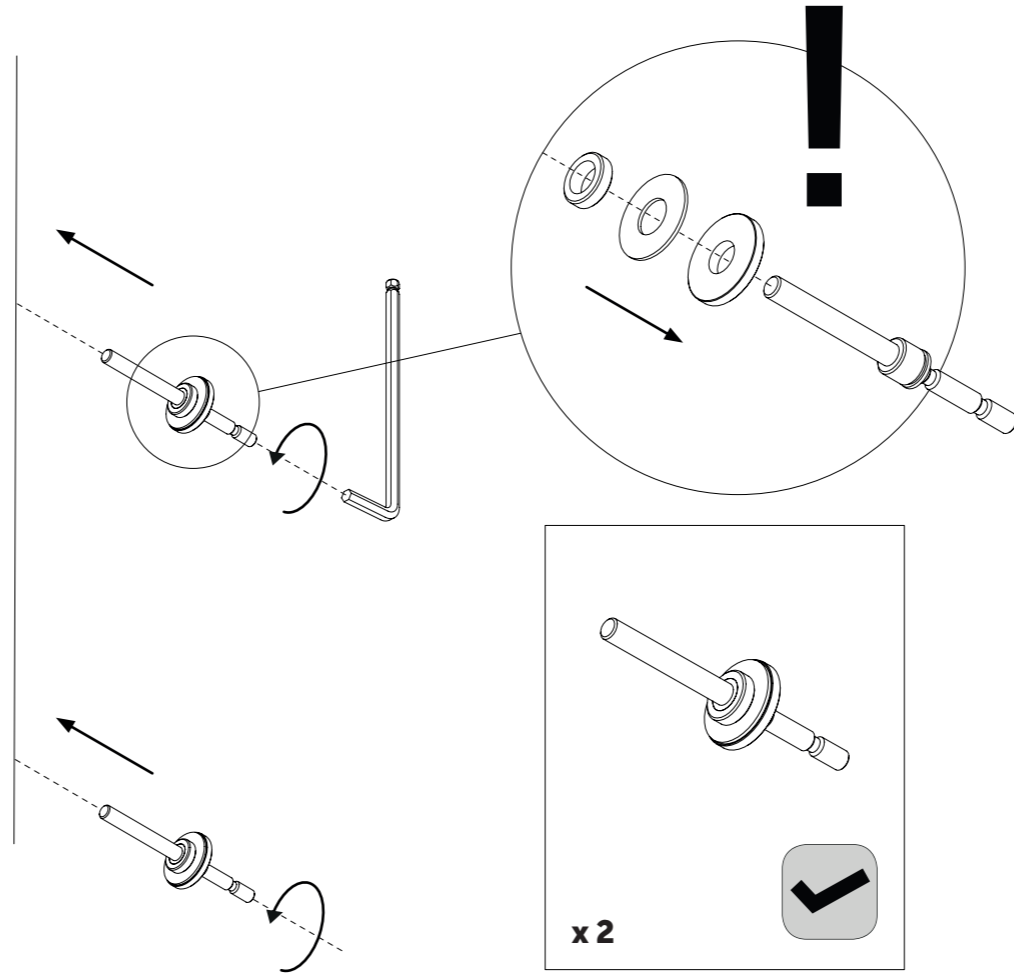
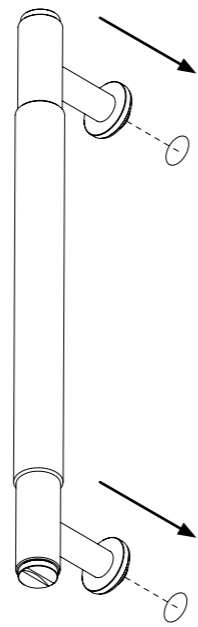
**2**



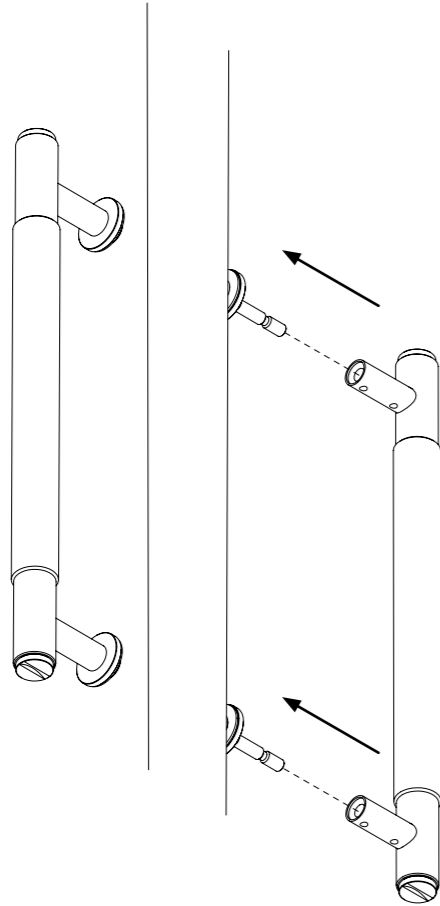
**3**



**4**



**5**



**6**

